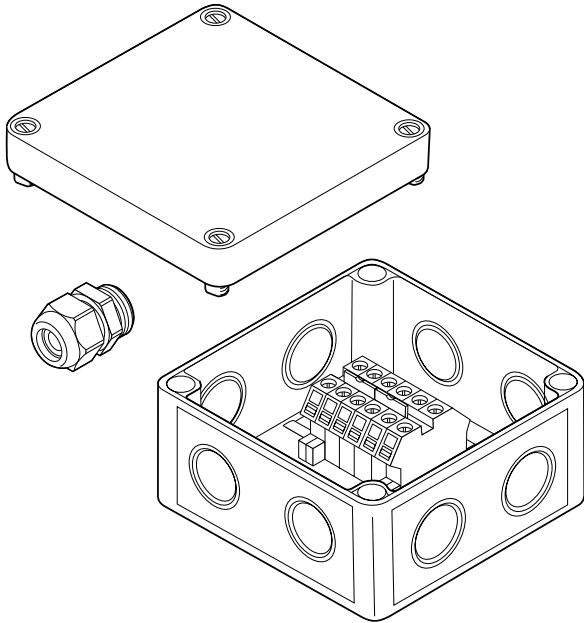




# SANTO MF-82

## JUNCTION BOX



The MF-82 is a standard, non-hazardous polycarbonate junction box.

It may be used to make a power connection, splice, powered splice, powered tee or simple tee, for use with Santo industrial parallel heating cables.

Up to four heating cables or three heating cables and the appropriate size power cable can be accommodated through the four entries and connected to the rail mounted terminals.

For pipe mounting, it is recommended that this box is used with a Santo support bracket.

### ENCLOSURE

### MF-82

Area of use	Ordinary (indoors and outdoors)
Protection	IP66
Entries	4 M20/25
Exposure temperature	-35°C to +115°C
Base	Grey glass filled polycarbonate
Lid	Grey polycarbonate
Lid gasket	Foamed polyurethane

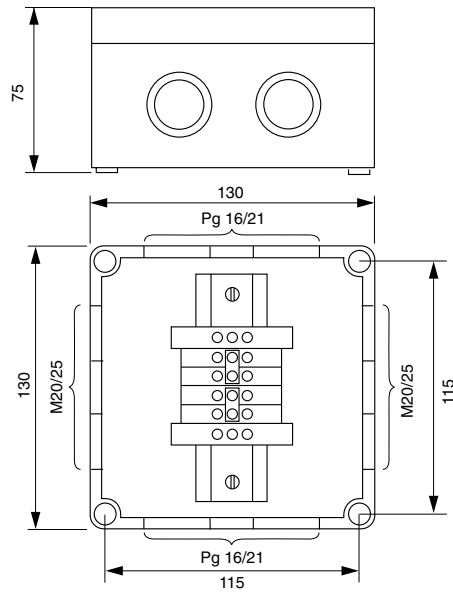
### PHASE TERMINALS

Conta-Clip RK6-10	Din rail mounted
Voltage rating	750 Vac
Max. conductor size	0.5-10 mm <sup>2</sup> (solid and stranded)
Current rating	61 A
Quantity	Two cross-connected groups of two

### EARTH TERMINALS

2 Conta-Clip SL10/35
----------------------

**DIMENSIONS (IN MM)**



**MOUNTING**

**MF-82**

Through holes moulded in the base of the junction box	
Centres	115 x 115 mm
Size	5 mm diameter
Cable gland	Polyamide with locknut for cable diameters from 9 to 16 mm

**ACCESSORIES**

Junction box support bracket	SB-100, SB-101, SB-110, SB-111
------------------------------	--------------------------------

**ORDERING DETAIL**

Part description	MF-82
PN (Weight)	2000-M17 (0.47 kg)